

JET

JBOS-5

Oscillating Spindle Sander

Original:

GB
Operating Instructions

Translations:

D
Gebrauchsanleitung

F
Mode d'emploi



Walter Meier (Tool) AG

Tämperlistrasse 5
CH-8117 Fällanden
Switzerland

Phone +41 44 806 47 48

Fax +41 44 806 47 58

jetinfo.eu@waltermeier.com

www.jettools.com



M-708404M

2010-06-25

CE-Conformity Declaration
CE-Konformitätserklärung
Déclaration de Conformité CE

Product / Produkt / Produit:

Oscillating spindle sander / Oszillierende Spindelschleifmaschine / Ponceuse à broche oscillante

JBOS-5

Brand / Marke / Marque:

JET

Manufacturer / Hersteller / Fabricant:

TOOL FRANCE SARL

9 Rue des Pyrénées, 91090 LISSES, France

We hereby declare that this product complies with the regulations
Wir erklären hiermit, dass dieses Produkt der folgenden Richtlinie entspricht
Par la présente, nous déclarons que ce produit correspond aux directives suivantes

2006/42/EC

Machinery Directive / Maschinenrichtlinie / Directive Machines

2014/30/EU

electromagnetic compatibility / elektromagnetische Verträglichkeit / compatibilité électromagnétique

2011/65/EU

RoHS directive / RoHS-Richtlinie / Directive RoHS

designed in consideration of the standards
und entsprechend folgender zusätzlicher Normen entwickelt wurde
et été développé dans le respect des normes complémentaires suivantes

EN ISO 12100:2010

EN 60204-1:2006+A1:2009

Responsible for the Documentation / Dokumentations-Verantwortung / Responsabilité de Documentation:

Head Product-Mgmt. / Leiter Produkt-Mgmt. / Resp. Gestion des Produits

TOOL FRANCE SARL



2019-02-27 Christophe SAINT SULPICE, General Manager

TOOL FRANCE SARL

9 Rue des Pyrénées, 91090 LISSES, France

GB - ENGLISH

Operating Instructions

Dear Customer,

Many thanks for the confidence you have shown in us with the purchase of your new JET-machine. This manual has been prepared for the owner and operators of a JET JBOS-5 oscillating spindle sander to promote safety during installation, operation and maintenance procedures. Please read and understand the information contained in these operating instructions and the accompanying documents. To obtain maximum life and efficiency from your machine, and to use the machine safely, read this manual thoroughly and follow instructions carefully.

...Table of Contents

1. Declaration of conformity

2. Warranty

3. Safety

Authorized use

General safety notes

Remaining hazards

4. Machine specifications

Technical data

Noise emission

Contents of delivery

5. Transport and start up

Transport and installation

Assembly

Mains connection

Dust connection

Starting operation

6. Machine operation

7. Setup and adjustments

Installing spindles

Changing sanding sleeves

Setup for 90°

8. Maintenance and inspection

9. Trouble shooting

10. Environmental protection

11. Available accessories

1. Declaration of conformity

On our own responsibility we hereby declare that this product complies with the regulations* listed on page 2. Designed in consideration with the standards**.

2. Warranty

The Seller guarantees that the supplied product is free from material defects and manufacturing faults. This warranty does not cover any defects which are caused, either directly or indirectly, by incorrect use, carelessness, accidental damage, repair, inadequate maintenance or cleaning and normal wear and tear.

Guarantee and/or warranty claims must be made within twelve months from the date of purchase (date of invoice). Any further claims shall be excluded.

This warranty includes all guarantee obligations of the Seller and replaces all previous declarations and agreements concerning warranties.

The warranty period is valid for eight hours of daily use. If this is exceeded, the warranty period shall be reduced in proportion to the excess use, but to no less than three months.

Returning rejected goods requires the prior express consent of the Seller and is at the Buyer's risk and expense.

Further warranty details can be found in the General Terms and Conditions (GTC). The GTC can be viewed at www.jettools.com or can be sent by post upon request.

The Seller reserves the right to make changes to the product and accessories at any time.

3. Safety

3.1 Authorized use

This spindle sander is designed for sanding wood and similar materials only. Sanding of other materials is not permitted and may be carried out in specific cases only after consulting with the manufacturer.

The machine is not suitable for wet sanding.

The proper use also includes compliance with the operating and maintenance instructions given in this manual.

The machine must be operated only by persons familiar with its operation and maintenance and who are familiar with its hazards.

The required minimum age must be observed.

The machine must only be used in a technically perfect condition.

When working on the machine, all safety mechanisms and covers must be mounted.

In addition to the safety requirements contained in these operating instructions and your country's applicable regulations, you should observe the generally recognized technical rules concerning the operation of woodworking machines.

Any other use exceeds authorization. In the event of unauthorized use of the machine, the manufacturer renounces all liability and the responsibility is transferred exclusively to the operator.

3.2 General safety notes

Woodworking machines can be dangerous if not used properly. Therefore the appropriate general technical rules as well as the following notes must be observed.

Read and understand the entire instruction manual before attempting assembly or operation.

Keep this operating instruction close by the machine, protected from dirt and humidity, and pass it over to the new owner if you part with the tool.

No changes to the machine may be made.

Daily inspect the function and existence of the safety appliances before you start the machine. Do not attempt operation in this case, protect the machine by unplugging the mains cable.

Remove all loose clothing and confine long hair.

Before operating the machine, remove tie, rings, watches, other jewellery, and roll up sleeves above the elbows.

Wear safety shoes; never wear leisure shoes or sandals.

Always wear the approved working outfit.

Do **not** wear gloves.

Install the machine so that there is sufficient space for safe operation and workpiece handling.

Keep work area well lighted.

The machine is designed to operate in closed rooms and must be placed stable on firm and levelled table surface.

Make sure that the power cord does not impede work and cause people to trip.

Keep the floor around the machine clean and free of scrap material, oil and grease.

Stay alert!

Give your work undivided attention.

Use common sense. Do not operate the machine when you are tired.

Do not operate the machine under the influence of drugs, alcohol or any medication. Be aware that medication can change your behaviour.

Never reach into the machine while it is operating or running down.

Never leave a running machine unattended. Before you leave the workplace switch off the machine.

Keep children and visitors a safe distance from the work area.

Do not operate the electric tool near inflammable liquids or gases. Observe the fire fighting and fire alert options, for example the fire extinguisher operation and place.

Do not use the machine in a dump environment and do not expose it to rain.

Wood dust is explosive and can also represent a risk to health.

Dust from some tropical woods in particular, and from hardwoods like beach and oak, is classified as a carcinogenic substance.

Always use a suitable dust extraction device

Before machining, remove any nails and other foreign bodies from the workpiece.

Never operate with the table insert not in place.

Make sure to guide and hold the workpiece tight during machining.

Machine only stock which rests securely on the table.

Specifications regarding the maximum or minimum size of the workpiece must be observed.

Do not remove chips and workpiece parts until the machine is at a standstill.

Do not stand on the machine.

Connection and repair work on the electrical installation may be carried out by a qualified electrician only.

Have a damaged or worn power cord replaced immediately.

Replace any torn or worn sanding belt immediately.

Make all machine adjustments or maintenance with the machine unplugged from the power source.

3.3 Remaining hazards

When using the machine according to regulations some remaining hazards may still exist.

The moving sanding sleeve can cause injury.

Risk of kickback. The workpiece is caught by the moving sanding sleeve and thrown back to the operator.

Thrown workpiece parts can lead to injury.

Sanding dust and noise can be health hazards. Be sure to wear personal protection gear such as safety goggles and dust mask. Use a suitable dust exhaust system.

Defective sanding discs can cause injuries.

The use of incorrect mains supply or a damaged power cord can lead to injuries caused by electricity.

4. Machine specifications

4.1 Technical data

Table size(LxW)	370x370mm
Table tilt	0 - 45°
Spindle speed	1400 rpm
Oscillations	30/min
Oscillation stroke	25mm
Sanding sleeve length	150mm
Dust port diameter	100mm
suction at 20 m/sec	560m ³ /h
Overall (LxWxH)	370x370x460mm
Net weight	30 kg

Mains	230V ~1/N/PE 50Hz
Output power	0,37 kW (0,5HP) S1
Reference current	3.6 A
Extension cord (H07RN-F):	3x1,5 ²
Installation fuse protection	10A

4.2 Noise emission

Acoustic pressure level (EN 11202):

Idling	69,4 dB (A)
In operation	78,5 dB (A)

The specified values are emission levels and are not necessarily to be seen as safe operating levels.

As workplace conditions vary, this information is intended to allow the user to make a better estimation of the hazards and risks involved only.

4.3 Content of delivery

6, 12, 16, 38 and 50mm spindles with sanding sleeves
2 oblong table inserts
2 round table inserts
Spindle holder
Insert holder
100mm dust port
Operating tools
Assembly kit
Operating manual
Spare parts list.

5. Transport and start up

5.1 Transport and installation

The machine is designed to operate in closed rooms and must be placed stable on a firm and levelled table surface.

For packing reasons the machine is not completely assembled.

5.2 Assembly

If you notice transport damage while unpacking, notify your supplier immediately. Do not operate the machine!

Dispose of the packing in an environmentally friendly manner.

Clean all rust protected surfaces with a mild solvent.

Attach the spindle storage shelf (A, Fig 1) and the insert storage shelf (B, Fig 1) to the cabinet using six screws.



Fig 1

Install the table insert.
The oblong inserts are used when the table is tilted for bevel sanding.
Attach the 100mm dust collection port.

5.3 Mains connection

Mains connection and any extension cords used must comply with applicable regulations.
The mains voltage must comply with the information on the machine licence plate.

The mains connection must have a 10 A surge-proof fuse.

Only use power cords marked H07RN-F

Connections and repairs to the electrical equipment may only be carried out by qualified electricians.

5.4 Dust connection

Before initial operation, the machine must be connected to a dust collector.
The suction should switch on automatically when the sander is switched on.

The flow rate on the 100mm suction port must be 20m/sec.

Flexible hoses must be of non-flammable quality, and must be connected to the dust collector ground system.

5.5 Starting operation

You can start the machine with the green on button. The red button on the main switch stops the machine.

6. Machine operation

Feed the workpiece straight across the machine table, holding your fingers close together, guiding the workpiece with the palm of your hands.

Don't put your hands under the machine table.

Always keep your hands well clear of the rotating sanding drum.

When working complex shapes, make jigs and guides to guide the workpiece properly and safely.

Support long workpieces with helping roller stands.

For bevel sanding the table can be tilted (Fig 2). An oblong table insert must be used.



Fig 2

7. Setup and adjustments

General note:

Setup and adjustment work may only be carried out after the machine is protected against accidental starting by pulling the mains plug.

7.1 Installing spindles

Before inserting the threaded spindle (A, Fig 3) into the spindle holder (B, Fig 3), make sure the surfaces are clean.

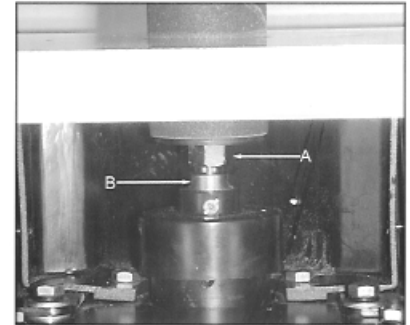


Fig 3

Thread the spindle counter-clockwise into the spindle housing.

Using the provided wrenches, tighten the spindle nut (A, Fig 3) while holding the spindle housing (B, Fig 3) with the other wrench.

Do not over tighten the spindle as it may be difficult to remove.

To remove a spindle turn it clockwise (**Left hand thread!!!**).

7.2 Changing sanding sleeves

On the 6, 12, and 16mm spindle loosen the sleeve clamp (A, Fig 4).

On the 38 and 50 mm spindle loosen the nut (B, Fig 4) in clockwise direction (**left hand thread!!**).

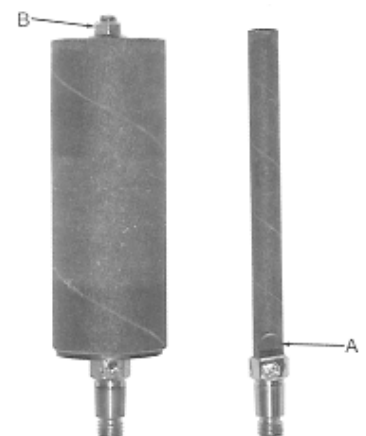


Fig 4

Remove the sanding sleeve from the spindle shaft.

Reverse these steps to install the new sanding sleeve.

7.3 Setup for 90°

Use a square (B, Fig 5) on the sanding drum to exactly align the table to 90°.

Loosen both knobs (A, Fig 5) and place the table in the square position.

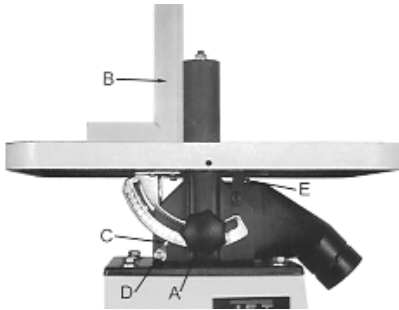


Fig 5

Set the 0° stop (E, Fig 5) so that it rests against the table.

Set the pointer (C, Fig 5) so that it reads 0°.

8. Maintenance and inspection

General notes:

Maintenance, cleaning and repair work may only be carried out after the machine is protected against accidental starting by pulling the mains plug.

Check sanding sleeves regularly for faults. Replace a defective sanding sleeve immediately.

Clean the machine regularly.

Inspect the proper function of the dust extraction daily.

Defective safety devices must be replaced immediately.

Repair and maintenance work on the electrical system may only be carried out by a qualified electrician.

9. Trouble shooting

Motor doesn't start

*No electricity-
check mains and fuse.

*Defective switch, motor or cord-
consult an electrician.

Sanding sleeve slips

*Sanding sleeve not clamped-
tighten sleeve clamping.

*Too much applied pressure
move workpiece while sanding.

Machine vibrates excessively

*Stand on uneven floor-
adjust stand for even support.

*Sanding spindle is loose or spindle
cone is not clean.

Abrasive sleeve keeps tearing

*Sleeve is running the wrong direction-
observe arrow on the sanding sleeve

Sanded edge not square

*Table not square to sanding sleeve-
Adjust positive stop for 90°.

Sanding marks on the wood

*Workpiece was held still-
keep workpiece moving.

*Wrong grit sanding sleeve-
use coarser grit for stock removal
and fine grit for finish sanding.

*Feed pressure too high-
never force the wood.

10. Environmental protection

Protect the environment.

Your appliance contains valuable materials which can be recovered or recycled. Please leave it at a specialized institution.

11. Available accessories

Stock number 709534

Complete 76mm spindle assembly
with rubber sanding drum and sleeve.

Stock number 709538

76mm rubber sanding drum and
sleeve.

Stock number 709539

76mm table insert

Refer to the JET-Pricelist
for various grit sanding sleeves.

DE - DEUTSCH

Gebrauchsanleitung

Sehr geehrter Kunde,

vielen Dank für das Vertrauen, welches Sie uns beim Kauf Ihrer neuen JET-Maschine entgegengebracht haben. Diese Anleitung ist für den Inhaber und die Bediener zum Zweck einer sicheren Inbetriebnahme, Bedienung und Wartung der oszillierenden Spindelschleifmaschine JBOS-5 erstellt worden. Beachten Sie bitte die Informationen dieser Gebrauchsanleitung und der beiliegenden Dokumente. Lesen Sie diese Anleitung vollständig, insbesondere die Sicherheitshinweise, bevor Sie die Maschine zusammenbauen, in Betrieb nehmen oder warten. Um eine maximale Lebensdauer und Leistungsfähigkeit Ihrer Maschine zu erreichen befolgen Sie bitte sorgfältig die Anweisungen.

Inhaltsverzeichnis

1. Konformitätserklärung

2. Garantieleistungen

3. Sicherheit

Bestimmungsgemäße Verwendung

Allgemeine Sicherheitshinweise

Restrisiken

4. Maschinenspezifikation

Technische Daten

Schallemission

Lieferumfang

5. Transport und Inbetriebnahme

Transport und Aufstellung

Montage

Elektrischer Anschluss

Absaug Anschluss

Inbetriebnahme

6. Betrieb der Maschine

7. Rüst- und Einstellarbeiten

Schleifdorn Montage

Schleifhülsenwechsel

Tisch 90° Einstellung

8. Wartung und Inspektion

9. Störungsabhilfe

10. Umweltschutz

11. Lieferbares Zubehör

1. Konformitätserklärung

Wir erklären in alleiniger Verantwortlichkeit, dass dieses Produkt mit den auf Seite 2 angegebenen Richtlinien* übereinstimmt.

Bei der Konstruktion wurden folgende Normen** berücksichtigt.

2. Garantieleistungen

Der Verkäufer garantiert, dass das gelieferte Produkt frei von Material- und Fertigungsfehlern ist. Diese Garantie trifft nicht auf jene Defekte zu, welche auf direkten oder indirekten, nicht fachgerechten Gebrauch, Unachtsamkeit, Unfallschaden, Reparatur, mangelhafte Wartung bzw. Reinigung sowie normalen Verschleiß zurückzuführen sind.

Garantie- bzw. Gewährleistungsansprüche müssen innerhalb von 12 Monaten ab dem Verkaufsdatum (Rechnungsdatum) geltend gemacht werden. Weitergehende Ansprüche sind ausgeschlossen.

Die vorliegende Garantie umfasst sämtliche Garantieverpflichtungen seitens des Verkäufers und ersetzt alle früheren Erklärungen und Vereinbarungen betreffend Garantien.

Die Garantiefrist gilt für eine tägliche Betriebszeit von 8 Stunden. Wird diese überschritten, so verkürzt sich die Garantiefrist proportional zur Überschreitung, jedoch höchstens auf 3 Monate.

Die Rücksendung beanstandeter Ware bedarf der ausdrücklichen vorherigen Zustimmung vom Verkäufer und geht auf Kosten und Gefahr des Käufers.

Die ausführlichen Garantieleistungen sind den Allgemeinen Geschäftsbedingungen (AGB) zu entnehmen. Die AGB sind unter www.jettools.com einzusehen oder werden auf Anfrage per Post zugestellt.

Der Verkäufer behält sich das Recht vor, jederzeit Änderungen am Produkt und Zubehör vorzunehmen.

3. Sicherheit

3.1 Bestimmungsgemäße Verwendung

Die Spindelschleifmaschine ist geeignet zum Schleifen von Holz und Holzersatzstoffen.

Die Bearbeitung anderer Werkstoffe ist nicht zulässig bzw. darf in Sonderfällen nur nach Rücksprache mit dem Maschinenhersteller erfolgen.

Die Maschine ist nicht für Nass-Schliff geeignet.

Die bestimmungsgemäße Verwendung beinhaltet auch die Einhaltung der vom Hersteller angegebenen Betriebs- und Wartungsanweisungen.

Die Maschine darf ausschließlich von Personen bedient werden, die mit Betrieb und Wartung vertraut und über die Gefahren unterrichtet sind.

Das gesetzliche Mindestalter ist einzuhalten.

Neben den in der Gebrauchsanleitung enthaltenen Sicherheitshinweisen und den besonderen Vorschriften Ihres Landes sind die für den Betrieb von Holzbearbeitungsmaschinen allgemein anerkannten fachtechnischen Regeln zu beachten.

Jeder darüber hinaus gehende Gebrauch gilt als nicht bestimmungsgemäß und für daraus resultierende Schäden haftet der Hersteller nicht. Das Risiko trägt allein der Benutzer.

3.2 Allgemeine Sicherheitshinweise

Holzbearbeitungsmaschinen können bei unsachgemäßem Gebrauch gefährlich sein. Deshalb ist zum sicheren Betreiben die Beachtung der zutreffenden Unfallverhütungs-Vorschriften und der nachfolgenden Hinweise erforderlich.

Lesen und verstehen Sie die komplette Gebrauchsanleitung bevor Sie mit Montage oder Betrieb der Maschine beginnen.

Bewahren Sie die Bedienungsanleitung, geschützt vor Schmutz und Feuchtigkeit, bei der Maschine auf, und geben Sie sie an einen neuen Eigentümer weiter.

An der Maschine dürfen keine Veränderungen, An- und Umbauten vorgenommen werden.

Überprüfen Sie täglich vor dem Einschalten der Maschine die einwandfreie Funktion und das Vorhandensein der erforderlichen Schutzeinrichtungen.

Festgestellte Mängel an der Maschine oder den Sicherheitseinrichtungen sind zu melden und von den beauftragten Personen zu beheben. Nehmen Sie die Maschine in solchen Fällen nicht in Betrieb, sichern Sie die Maschine gegen Einschalten durch Ziehen des Netzsteckers.

Zum Schutz von langem Kopfhair Mütze oder Haarnetz aufsetzen.

Enganliegende Kleidung tragen, Schmuck, Ringe und Armbanduhren ablegen.

Tragen Sie Schutzschuhe, keinesfalls Freizeitschuhe oder Sandalen.

Verwenden Sie die durch Vorschriften geforderte persönliche Schutzausrüstung.

Beim Arbeiten an der Maschine **keine Handschuhe** tragen.

Die Maschine so aufstellen, dass genügend Platz zum Bedienen und zum Führen der Werkstücke gegeben ist.

Sorgen Sie für gute Beleuchtung.

Achten Sie darauf, dass die Maschine standsicher auf fester und ebener Tischfläche steht.

Beachten Sie dass die elektrische Zuleitung nicht den Arbeitsablauf behindert und nicht zur Stolperstelle wird.

Den Arbeitsplatz frei von behindernden Werkstücken, etc. halten.

Niemals in die laufende Maschine greifen.

Seien Sie aufmerksam und konzentriert. Gehen Sie mit Vernunft an die Arbeit.

Arbeiten Sie niemals unter dem Einfluss von Rauschmitteln wie Alkohol und Drogen an der Maschine. Beachten Sie, dass auch Medikamente Einfluss auf Ihr Verhalten nehmen können.

Halten Sie Unbeteiligte, insbesondere Kinder vom Gefahrenbereich fern.

Die laufende Maschine nie unbeaufsichtigt lassen. Vor dem Verlassen des Arbeitsplatzes die Maschine ausschalten.

Benützen Sie die Maschine nicht in der Nähe von brennbaren Flüssigkeiten oder Gasen. Beachten Sie die Brandmelde- und Brandbekämpfungsmöglichkeiten z.B. Standort und Bedienung von Feuerlöschern.

Benützen Sie die Maschine nicht in feuchter Umgebung und setzen Sie sie nicht dem Regen aus.

Achten Sie stets darauf, dass keine zu große Staubkonzentration entsteht – verwenden Sie stets eine geeignete Absauganlage

Holzstaub ist explosiv und kann gesundheitsschädigend sein. Insbesondere tropische Hölzer und harte Hölzer wie Buche und Eiche sind als krebserregend eingestuft.

Vor der Bearbeitung Nägel und andere Fremdkörper aus dem Werkstück entfernen.

Die Maschine nie ohne Tischeinlage betreiben.

Es ist darauf zu achten dass alle Werkstücke beim Bearbeiten sicher gehalten und sicher geführt werden.

Bearbeiten Sie nur ein Werkstück, das sicher auf dem Tisch aufliegt.

Angaben über die min. und max. Werkstückabmessungen müssen eingehalten werden

Späne und Werkstückeile nur bei stehender Maschine entfernen.

Nicht auf der Maschine stehen.

Arbeiten an der elektrischen Ausrüstung der Maschine dürfen nur durch eine Elektrofachkraft vorgenommen werden.

Tauschen Sie ein beschädigtes Netzkabel sofort aus.

Umrüst-, Einstell- und Reinigungsarbeiten nur im Maschinenstillstand und bei gezogenem Netzstecker vornehmen.

Schadhafte Schleifbänder sofort ersetzen.

3.3 Restrisiken

Auch bei vorschriftsmäßiger Benutzung der Maschine bestehen die nachfolgend aufgeführten Restrisiken.

Verletzungsgefahr durch den frei laufenden Schleifdorn.

Rückschlaggefahr. Das Werkstück wird von der sich bewegenden Schleifhülse erfasst und gegen den Bediener geschleudert.

Gefährdung durch wegfliegende Werkstücke.

Gefährdung durch Lärm und Staub. Unbedingt persönliche Schutzausrüstungen wie Augen-, Gehör- und Staubschutz tragen. Eine geeignete Absauganlage einsetzen!

Gefährdung durch eine schadhafte Schleifhülse.

Gefährdung durch Strom, bei nicht ordnungsgemäßer Verkabelung.

4. Maschinenspezifikation

4.1 Technische Daten

Auflagetisch(LxB)	370x370mm
Schwenkbereich	0 - 45°
Spindeldrehzahl	1400 U/min
Oszillationen	30/min
Oszillationshub	25mm
Schleifhülsenlänge	150mm
Absauganschluss Durchm.	100mm
Absaugvolumenstrom bei 20 m/sec	560m ³ /h
Maschinenabmessungen (LxBxH)	370x370x460mm
Maschinengewicht	30 kg

Netzanschluss	230V ~1/N/PE 50Hz
Abgabeleistung	0,37 kW (0,5PS) S1
Betriebsstrom	3.6A
Anschlussleitung (H07RN-F)	3x1,5mm ²
Bauseitige Absicherung	10A

4.2 Schallemission

Schalldruckpegel(nach EN 11202):	
Leerlauf	69,4 dB(A)
Bearbeitung	78,5 dB(A)

Die angegebenen Werte sind Emissionspegel und sind nicht notwendigerweise Pegel für sicheres Arbeiten.

Sie sollen dem Anwender eine Abschätzung der Gefährdung und des Risikos ermöglichen.

4.3 Lieferumfang

6, 12, 16, 38 und 50mm Schleifdorne mit Schleifhülsen
2 runde Tischeinlagen
2 ovale Tischeinlagen
Schleifdornmagazin
Tischeinlagenmagazin
100mm Absaugstutzen
Bedienwerkzeug
Montagezubehör
Gebrauchsanleitung
Ersatzteilliste

5. Transport und Inbetriebnahme

5.1. Transport und Aufstellung

Die Aufstellung der Maschine sollte in geschlossenen Räumen erfolgen, tischlerübliche Bedingungen in der Werkstatt sind dabei ausreichend.

Die Aufstellfläche muss ausreichend eben und belastungsfähig sein.

Aus verpackungstechnischen Gründen ist die Maschine nicht komplett montiert.

5.2 Montage

Wenn Sie beim Auspacken einen Transportschaden feststellen, benachrichtigen Sie umgehend Ihren Händler, nehmen Sie das Gerät nicht in Betrieb.

Entsorgen Sie die Verpackung bitte umweltgerecht.

Entfernen Sie das Rostschutzfett mit einem milden Lösungsmittel.

Befestigen Sie das Schleifdornmagazin (A, Fig 1) und das Tischeinlagenmagazin (B, Fig 1) mit sechs Schrauben.



Fig 1

Setzen Sie die passende Tischeinlage ein.

Montieren Sie den 100mm Absaugstutzen.

5.3 Elektrischer Anschluss

Der kundenseitige Netzanschluss sowie die verwendeten Verlängerungsleitungen müssen den Vorschriften entsprechen. Die Netzspannung und Frequenz müssen mit den Leistungsschilddaten an der Maschine übereinstimmen.

Die bauliche Absicherung muss dabei 10A betragen.

Verwenden Sie nur Anschlussleitungen mit Kennzeichnung H07RN-F

Anschlüsse und Reparaturen der elektrischen Ausrüstung dürfen nur von einem Elektrofachkraft durchgeführt werden.

5.4 Absaug Anschluss

Die Maschine muss vor der Inbetriebnahme an eine Absaugung angeschlossen werden und zwar derart, dass sich beim Einschalten der Schleifmaschine die Absaugung selbsttätig mit einschaltet.

Die Mindestluftgeschwindigkeit am 100mm Absaugstutzen muss 20 m/s betragen.

Absaugschläuche müssen der Qualität „schwer entflammbar“ entsprechen und in die Erdung der Absauganlage mit einbezogen werden.

5.5 Inbetriebnahme

Mit dem grünen Eintaster am Hauptschalter kann die Maschine gestartet werden: Mit dem roten Aus-Taster kann die Maschine stillgesetzt werden.

6. Betrieb der Maschine

Das Werkstück aufgelegt über den Maschinentisch schieben. Dabei die Finger geschlossen halten und mit der flachen Hand Führen.

Fassen Sie nicht unter den Maschinentisch.

Halten Sie immer ausreichend Abstand zur rotierenden Schleifhülse.

Bei komplizierten Formen, Schablonen zum exakten und sicheren Führen herstellen.

Lange Werkstücke durch Rollenböcke abstützen.

Zum Schrägschliff kann der Maschinentisch geneigt werden (Fig 2). Verwenden Sie dazu eine ovale Tischeinlage.



Fig 2

7. Rüst- und Einstellarbeiten

Allgemeine Hinweise

Vor Rüst- und Einstellarbeiten muss die Maschine gegen Inbetriebnahme gesichert werden.

Netzstecker ziehen!

7.1 Schleifspindel Montage

Vor der Montage den Schleifdorn (A, Fig 3) und die Spindelaufnahme (B, Fig 3) reinigen.

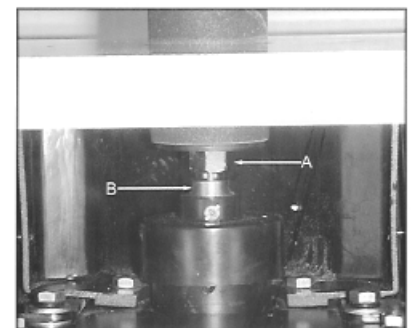


Fig 3

Den Schleifdorn gegen den Uhrzeigersinn in die Spindelaufnahme einschrauben.

Mit dem gelieferten Gabelschlüssel den Schleifdorn (A, Fig 3) festziehen, die Spindel (B, Fig 3) dabei mit dem anderen Schlüssel festhalten.

Nicht zu fest anziehen um ein problemloses späteres Lösen zu ermöglichen.

Zur Demontage den Schleifdorn im Uhrzeigersinn aufschrauben.

(Linksgewinde!!!).

7.2 Schleifhülsenwechsel

Für den 6, 12, and 16mm Schleifdorn die Spannklaue (A, Fig 4) lösen.

Für den 38 and 50 mm Schleifdorn die Spannmutter (B, Fig 4) im Uhrzeigersinn (**Linksgewinde!**) lösen.

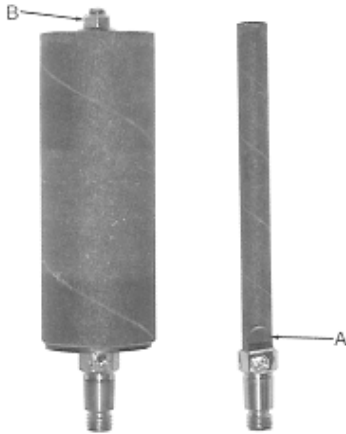


Fig 4

Die Schleifhülse vom Schleifdorn abziehen.

Die neue Schleifhülse in umgekehrter Reihenfolge montieren.

7.3 Tisch 90° Einstellung

Zur Einstellung verwenden Sie einen 90° Winkel (B, Fig 5).

Lösen Sie die zwei Klemmgriffe (A, Fig 5) und richten Sie den Tisch an der Schleifhülse auf exakt 90° aus.

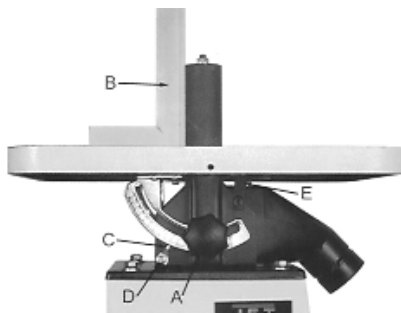


Fig 5

Stellen Sie den 0° Anschlag (E, Fig 5) an den Maschinentisch an.

Bringen Sie den Gradzeiger (C, Fig 5) auf 0° Stellung.

8. Wartung und Inspektion

Allgemeine Hinweise

Vor Wartungs- Reinigungs- und Reparaturarbeiten muss die Maschine gegen Inbetriebnahme gesichert werden.

Netzstecker ziehen!

Kontrollieren Sie die Schleifhülsen regelmäßig auf Fehler. Tauschen Sie eine schadhafte Schleifhülse sofort aus

Reinigen Sie die Maschine in regelmäßigen Zeitabständen.

Prüfen Sie täglich die ausreichende Funktion der Absaugung.

Beschädigte Sicherheitseinrichtungen sofort ersetzen.

Anschlüsse und Reparaturen der elektrischen Ausrüstung dürfen nur von einer Elektrofachkraft durchgeführt werden.

9. Störungsabhilfe

Motor startet nicht

*Kein Strom-
Netzsicherung prüfen.

*Motor, Schalter oder Kabel defekt-
Elektrofachkraft kontaktieren.

Schleifhülse rutscht durch

*Schleifhülse nicht geklemmt-
Klemmung festziehen.

*Anpressdruck zu kräftig-
Werkstück beim Arbeiten bewegen.

Starke Maschinenvibrationen

*Maschine steht uneben-
Ausgleich schaffen.

*Schleifdorn nicht festgezogen oder
Schleifdornaufnahme verschmutzt.

Schleifhülse reißt wiederholt

*Hülse falsch aufgelegt-
Laufrichtungsangabe beachten.

Schleifwinkel nicht 90°

*90° Anschlag falsch eingestellt-
Anschlag nachjustieren.

Schleifbild ist schlecht

*Werkstück wurde nicht bewegt-
Werkstück bewegen.

*Falsche Schleifband Körnung-
grobe Körnung zum Schruppen, feine
Körnung zum Schlichten.

*Anpressdruck zu hoch-
Bearbeitung nie erzwingen.

10. Umweltschutz

Schützen Sie die Umwelt!

Ihr Gerät enthält mehrere unterschiedliche, wiederverwertbare Werkstoffe.

Bitte entsorgen Sie es nur an einer spezialisierten Entsorgungsstelle.

11. Lieferbares Zubehör

Artikel Nummer 709534

Kompletter Schleifdorn 76mm mit Gummiwalze und Schleifhülse.

Artikel Nummer 709538

76mm Gummiwalze und Schleifhülse

Artikel Nummer 709539

76mm Tischeinlage

Für Schleifhülsen in unterschiedlicher Körnung siehe die JET-Preisliste.

FR - FRANCAIS

Mode d'emploi

Cher client,

Nous vous remercions de votre confiance que vous nous portez avec l'achat de votre nouvelle machine JET. Ce manuel a été préparé pour l'opérateur de la ponceuse à broche oscillante JET JBOS-5. Son but, mis à part le fonctionnement de la machine, est de contribuer à la sécurité par l'application des procédés corrects d'utilisation et de maintenance. Avant de mettre l'appareil en marche, lire les consignes de sécurité et de maintenance dans leur intégralité. Pour obtenir une longévité et fiabilité maximale de votre ponceuse, et pour contribuer à l'usage sûr de la machine, veuillez lire attentivement ce mode d'emploi et suivre les instructions.

Table des Matières

1. Déclaration de conformité

2. Prestations de garantie

3. Sécurité

Utilisation conforme
Consignes de sécurité
Risques

4. Spécifications

Indications techniques
Emission de bruit
Contenu de la livraison

5. Transport et Montage

Transport
Montage
Raccordement au réseau électr.
Racc. collecteur de poussières
Mise en exploitation

6. Fonctionnement de la machine

7. Réglages

Montage broche de ponçage
Changement manchon abrasif
Inclinaison de table 90°

8. Entretien et inspection

9. Détecteur de pannes

10. Protection de l'environnement

11. Accessoires

1. Déclaration de conformité

Par le présent et sous notre responsabilité exclusive, nous déclarons que ce produit satisfait aux normes conformément aux lignes directrices indiquées page 2.

2. Prestations de garantie

Le vendeur garantit que le produit livré est exempt de défauts de matériel et de fabrication. La présente garantie ne s'applique pas aux défauts résultant d'une utilisation directe ou indirecte incorrecte, de l'inattention, d'un accident, d'une réparation, d'une maintenance ou d'un nettoyage insuffisant, ou encore de l'usure normale.

Il est possible de faire valoir des prétentions en garantie dans les 12 mois suivant la date de la vente (date de la facture). Toute autre prétention est exclue.

La présente garantie comprend toutes les obligations de garantie incombant au vendeur et remplace toutes les déclarations et conventions antérieures en termes de garanties.

Le délai de garantie s'applique pour une durée d'exploitation de huit heures par jour. Au-delà, le délai de garantie diminue proportionnellement au dépassement, mais pas en deçà de trois mois.

Le renvoi d'une marchandise faisant l'objet d'une réclamation requiert l'accord préalable exprès du vendeur et s'effectue aux frais et aux risques de l'acheteur.

Les prestations de garantie détaillées figurent dans les Conditions générales (CG). Ces dernières sont disponibles sur www.jettools.com ou peuvent être envoyées par la poste sur demande.

Le vendeur se réserve le droit de modifier à tout moment le produit et les accessoires.

3. Sécurité

3.1 Utilisation conforme

Cette ponceuse convient au ponçage du bois et des dérivés du bois. Le ponçage d'autres matériaux est interdit et ne peut être effectué que dans des cas spéciaux et après accord du fabricant de la machine.

La machine n'est pas conçue pour un ponçage à l'eau.

L'utilisation conforme implique le strict respect des instructions de service et de maintenance indiquées dans ce manuel.

La machine doit être exclusivement utilisée par des personnes familiarisées avec le fonctionnement, la maintenance et la remise en état, et qui sont informées des dangers correspondants.

L'âge requis par la loi est à respecter.

Toutes les directives relatives à la prévention des accidents ainsi que les consignes de sécurité doivent être respectées scrupuleusement.

En cas d'utilisation non-conforme de la machine, le fabricant décline toute responsabilité qui est en tel cas rejetée exclusivement sur l'utilisateur.

3.2 Consignes de sécurité

L'utilisation non-conforme d'une ponceuse peut être très dangereux. C'est pourquoi vous devez lire attentivement ce mode d'emploi avant de monter ou d'utiliser votre appareil.

Conserver à proximité de la machine tous les documents fournis avec l'outillage (dans une pochette en plastique, à l'abri de la poussière, de l'huile et de l'humidité) et veiller à joindre cette documentation si vous cédez l'appareil.

Ne pas effectuer de modification à la machine. Utiliser les accessoires recommandés, des accessoires incorrects peuvent être dangereux.

Contrôler chaque jour avant d'utiliser la machine les dispositifs de protection et le fonctionnement impeccable.

En cas de défauts à la machine ou aux dispositifs de protection avvertir les personnes compétentes et ne pas utiliser la machine. Déconnecter la machine du réseau.

Avant de mettre la machine en marche, retirer cravate, bagues, montres ou autres bijoux et retrousser les manches jusqu'aux coudes. Enlever tout vêtement flottant et nouer les cheveux longs.

Porter des chaussures de sécurité, surtout pas de tenue de loisirs ou de sandales.

Porter équipement de sécurité personnel pour travailler à la machine.

Ne porter **pas de gants**.

Placer la machine de sorte à laisser un espace suffisant pour la manoeuvre et le guidage des pièces à usiner.

Veiller à un éclairage suffisant.

Placer la machine sur un sol stable et plat.

S'assurer que le câble d'alimentation ne gêne pas le travail ni risque de faire trébucher l'opérateur.

Conserver le sol autour de la machine propre, sans déchets, huile ou graisse.

Ne jamais mettre la main dans la machine pendant le travail.

Prêter grande attention à votre travail et rester concentré.

Ne pas travailler sous l'influence de drogues, d'alcool ou de médicaments.

Eloigner toutes personnes incompetentes surtout des enfants de la machine.

Ne jamais laisser la machine en marche sans surveillance. Arrêter la machine avant de quitter la zone de travail.

Ne pas mettre la machine à proximité de liquides ou de gaz inflammables.

Préserver la machine de l'humidité et ne jamais la mettre sous la pluie.

Utiliser un collecteur de poussières afin d'éviter une production de poussières trop élevée. La poussière de bois est explosive et peut être nocive pour la santé. Les poussières de certains bois exotiques et de bois durs, tel que le hêtre et le chêne sont classés comme étant cancérigènes.

Retirer les clous et autres corps étrangers de la pièce avant de débiter l'usinage.

Ne jamais mettre la machine en service sans les dispositifs de protection – risque de blessures graves!

Bien tenir et guider toutes les pièces à usiner.

Usiner que des pièces qui se laissent bien placer sur la table.

Se tenir aux spécifications concernant la dimension maximale ou minimale de la pièce à usiner.

Ne pas enlever les copeaux et les pièces usinées avant que la machine ne soit à l'arrêt.

Ne pas se mettre sur la machine.

Tous travaux de branchement et de réparation sur l'installation électrique doivent être exécutés uniquement par un électricien qualifié.

Remplacer immédiatement tout câble endommagé ou usé.

Faire tous les travaux de réglage ou de maintenance seulement après avoir débranché la machine du réseau.

Remplacer immédiatement toute bande abrasive déchirée ou usée.

3.3 Risques

Même en respectant les directives et les consignes de sécurité existe les risques suivants.

Attention à la broche en rotation. Danger de blessures.

La pièce se fait accrocher par le manchon abrasif et éjectée contre l'utilisateur.

Danger de pièces éjectées.

Risque de santé par poussières de bois, copeaux et bruit.

Porter équipement de sécurité personnel tel que lunettes, cache-visage pour travailler à la machine. Utiliser un collecteur de poussières!

Danger de manchon abrasif endommagé ou usé.

Danger par câble électrique endommagé, usé ou mal branché.

4. Spécifications JBOS-5

4.1 Indications techniques

Dimensions de table	370x370mm
Inclinaison de table	0 - 45°
Vitesse de rotation	1400 T/min
Oscillation	30/min
Coup oscillation	25mm
Longueur manchon abrasif	150mm
Diam. de chute de poussière	100mm
Volume d'air à 20 m/sec	560m ³ /h
Dimensions de la machine	
(LxLxH)	370x370x460mm
Poids net (env.)	30 kg

Voltage	230V ~1/N/PE 50Hz
Puissance	0,37 kW (0,5CV) S1
Courant électrique	3.6A
Raccordement	(H07RN-F)3x1,5mm ²
Fusible du secteur électrique	10A

4.3 Emission de bruit

Niveau de pression sonore (selon EN 11202):	
Marche à vide	69,4 dB (A)
Usinage	78,5 dB (A)

Les indications données sont des niveaux de bruit et ne sont pas forcément les niveaux pour un travail sûr.

Ainsi l'utilisateur peut estimer les dangers et les risques possibles.

4.4 Contenu de la livraison

Broches avec manchons abrasifs de 6, 12, 16, 38 et 50mm
2 insertions de table rondes
2 insertions de table ovales
Dépôt des broches
Dépôt des insertions de table
Entonnoir 100mm
Clé de réglage
Accessoires pour le montage
Mode d'emploi
Liste pièces de rechange

5. Transport et mise en exploitation

5.1. Transport

Effectuer le montage de la machine dans un local fermé ou un atelier respectant les conditions de menuiserie.

Placer la machine sur une surface stable et plane. La machine peut aussi être fixée à la surface.

Pour des raisons techniques de l'emballage la machine n'est pas complètement montée à la livraison.

5.2 Montage

Déballer tout le contenu de la caisse. Avertir JET immédiatement si vous constatez des pièces endommagées par le transport et ne monter pas la machine.

Enlever la protection antirouille avec un dissolvant.

Fixer le dépôt des broches (A, Fig1) et le dépôt des insertions de table (B, Fig1) avec 6 vis.



Fig1

Placer l'insertion de table appropriée.
Monter l'entonnoir de 100mm.

5.3 Raccordement au réseau électr.

Le raccordement ainsi que les rallonges utilisées doivent correspondre aux instructions. Le voltage et la fréquence doivent être conforme aux données inscrites sur la machine.

Le fusible de secteur électrique doit avoir 10A.

Utiliser pour le raccordement des câbles H07RN-F.

Tous travaux de branchement et de réparation sur l'installation électrique doivent être exécutés uniquement par un électricien qualifié.

5.4 Racc. collecteur de poussières

Avant la mise en exploitation connecter la machine à un collecteur de poussières de manière que le collecteur se mette en marche automatiquement avec votre ponceuse.

Vitesse minimale de l'aspiration 20 m/s à l'entonnoir de 100mm. Utiliser que des tuyaux d'aspiration de la qualité „difficile inflammable“ et intégrer les tuyaux dans la mise à la terre de la machine.

5.5 Mise en exploitation

Mettre la machine en route avec le bouton vert. Arrêter la machine avec le bouton rouge.

6. Fonctionnement de la machine

Mener la pièce à usiner sur la table. Ne pas écarter les doigts et mener du plat de la main.

Ne pas toucher en-dessous de la table.

Garder toujours suffisamment de distance au manchon abrasif en rotation.

Pour des formes compliquées, créer un patron pour un travail exact et sûr.

Poser des pièces longues sur un support.

Pour un ponçage en biais pencher la table de la machine (Fig 2). Utiliser une insertion de table ovale.



Fig 2

7. Réglages

Attention

Faire tous les travaux de maintenance ou de réglage après avoir débranché la machine du réseau.

7.1 Montage broche de ponçage

Avant le montage nettoyer la broche (A, Fig 3) ainsi que la fixation de broche (B, Fig 3).

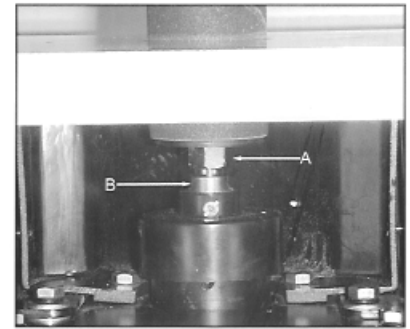


Fig 3

Viser la broche de ponçage en sens inverse des aiguilles d'une montre dans la fixation de broche.

Serrer la broche (A, Fig 3) avec la clé livrée, en tenant la fixation (B, Fig 3) avec l'autre clé.

Ne pas serrer trop fort pour pouvoir desserrer sans problème plus tard.

Pour démonter viser la broche dans le sens des aiguilles d'une montre.

(Pas de vis gauche!!!)

7.2 Changement manchon abrasif

Pour la broche de 6, 12, et 16mm desserrer le serre-manchons (A, Fig 4).

Pour la broche de 38 et 50 mm desserrer l'écrou (B, Fig 4) dans le sens des aiguilles d'une montre (**Pas de vis gaucher!**).

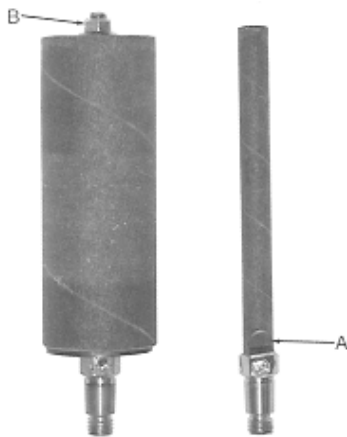


Fig 4

Tirer le manchon abrasif de la broche.
Monter le nouveau manchon abrasif en ordre inverse.

7.3 Inclinaison de table 90°

Déconnecter la machine du réseau.

Pour un travail de précision 90° utiliser une équerre 90° (B, Fig 5).

Desserrer les deux boutons de verrouillage (A, Fig 5) et positionner la table au manchon abrasif à 90° exactement.

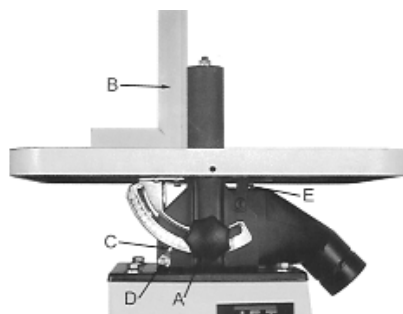


Fig 5

Positionner le guide de 0° (E, Fig 5) à la table de la machine.

Mener l'indicateur des degrés (C, Fig 5) en position 0°.

8. Entretien et inspection

Attention

Faire tous les travaux de maintenance, réglage ou nettoyage après avoir débranché la machine du réseau!

Contrôler régulièrement les manchons abrasifs. Remplacer immédiatement un manchon abrasif endommagé ou usé.

Nettoyer la machine régulièrement.

Vérifier chaque jour le fonctionnement impeccable du collecteur de poussières.

Remplacer immédiatement toutes pièces endommagées ou usées.

Tous travaux de branchement et de réparation sur l'installation électrique doivent être exécutés uniquement par un électricien qualifié.

9. Détecteur de pannes

Moteur ne se met pas en route

*Pas de courant-
Vérifier le voltage.

*Défaut de moteur, bouton ou câble-
Contacter un électricien qualifié.

Manchon abrasif glisse

*Manchon abrasif pas bloqué-
Serrer le blocage.

*Trop de pression sur la pièce-
Bouger la pièce à usiner en travaillant.

Vibration violente de la machine

*La machine n'est pas sur un sol plat-
Repositionner la machine.

*Broche pas assez serrée ou fixation de broche pas propre.

Manchon abrasif se déchire

*Mauvais montage du manchon-
Vérifier le circuit du manchon.

Equerre de ponçage pas 90°

*Mauvais réglage de l'arrêt-
Ajuster l'arrêt.

Résultat de ponçage insuffisant

*Pièce à usiner n'est pas bouger-
Mener la pièce en travaillant.

*Grain de bande pas adapté-
Grain gros pour brosser, grain fin pour aiguiser.

*Trop de pression sur la pièce-
Jamais forcer sur le travail.

10. Protection de l'environnement

Protégez l'environnement !

Votre appareil comprend plusieurs matières premières différentes et recyclables. Pour éliminer l'appareil usagé, veuillez l'apporter dans un centre spécialisé de recyclage des appareils électriques.

11. Accessoires

Article 709534

Broche complète 76mm avec rouleau en caoutchouc et manchon abrasif.

Article 709538

Rouleau en caoutchouc 76mm et manchon abrasif.

Article 709539

Insertion de table 76mm

Pour manchons abrasifs avec divers grains voir la liste de prix JET.